

Portable Foam Uniductor™

UNI-225 (3X6) & UNI-450 (3X6)

Hi-Combat

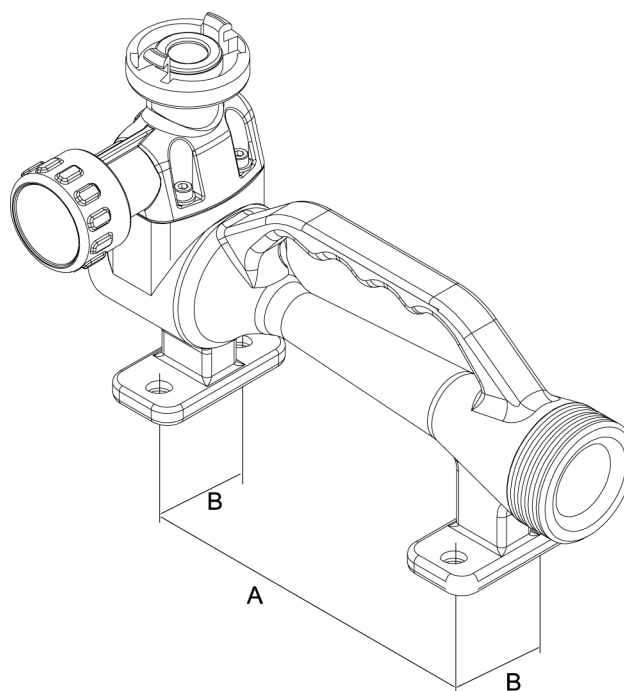
Angus Hi-Combat Portable Foam Uniductor, when matched with Angus Hi-Combat Foam branchpipes or nozzles, provides the simplest possible means of getting foam to the fire where it is needed. They can be placed near a portable pump or hydrant outlet, minimising manpower requirements and leaving the firefighter to concentrate on effective application of the foam to control the fire situation.

Angus Hi-Combat Portable Foam Uniductors are venturi-type inductor devices, designed for use with the full Angus Fire range of Hi-Combat branchpipes and nozzles for quick and reliable response to first aid fire attack duties.

There are two models the UNI-225(3x6) and UNI-450(3x6) matched for use with aspirating foam branchpipes flowing 225 and 450 L/min at 7 bar g (100psi). These Uniductors™ typically experience a 35-40% pressure drop across the inductor and operate within a recommended pressure range of 5-10 bar g.

ACCURATE 3%AR, 3%, 6%AR AND 6% SETTINGS

A simple but positive "twist and click" operation of the control knob moves the foam induction setting from 6%AR to 6%, and 3%AR to 3%. Once selected it is quick to change but cannot be unintentionally moved "off-position". This precision engineering is designed to meet the stringent accuracy requirements of NFPA11:1998 and BS5306 Section 6.1:1988 (effectively 3-3.9 % when set at 3%, and 6-7% at the 6% setting). A UL listed 1x3 version is also available for use with 1%, 1%AR, 3% and 3%AR foam concentrates.



Dimensions in mm (nominal)	UNI-225 (1x3) / UNI-450 (1X3)	
Overall length	302	
Overall height	185	
Max. width	130	
Dimension A	185 centres 12Ø	
Dimension B	50 centres 12Ø	
Approx. Weight kg. (incl. pick-up tube)	Light Alloy LM25 3.1 kg	Gunmetal LG2 5.7 kg
Maximum working pressure	10 bar	
Minimum working pressure	5 bar	

ref: 5267/3/12.09 page: 1 of 2

Engineered to work with the widest range of 3% and 6% foam concentrates, these inductors have been specially designed for efficiency and accuracy, optimising the use of your foam.

The standard Uniductor settings of 3% and 6% are tailored for any standard foams, but the two additional settings 3%AR and 6%AR are specifically for use with the increasingly popular multi-purpose foams, offering unequalled performance on these thicker thixotropic foams which conventional portable inductors struggle to induce accurately. High performing examples of AR type foams are Alcoseal and Tridol ATF. Niagara can be used on the standard 3% setting. This inductor is UL listed with all these multipurpose foams.

This exceptional accuracy when using these higher performance foam concentrates can help ensure faster control of an incident by not only achieving more accurate induction but also ensuring valuable foam is not wasted.

To avoid confusion, Angus Hi-Combat Portable Uniductors and branchpipes are colour coded:

UNI-225 (3x6), F225/HU, MEX225 and Angus Mini-Turbex	No colour band
UNI-450 (3x6), F450/HU and MEX450	Red colour band
IND900 and F900H	Blue colour band

Normally supplied with 2 1/2" BS.336 Instantaneous couplings or BSP male threaded connections as standard, but many other connections are available from the "Armourite" range. For further details of the Angus Hi-Combat foam branchpipe range see data sheets 3042 and 5007, and for details on the IND900 see data sheet 3171.

USING A HI-COMBAT PORTABLE UNIDUCTOR™

Angus Hi-Combat Portable Uniductors have been designed to match the characteristics of Angus Hi-Combat foam branchpipes. Correct matching is essential if optimum performance is to be obtained.

If the flow rating of the branchpipe is greater than that of the Uniductor, throw from the branchpipe will be reduced. If the flow rating of the branchpipe is less than K factor 85, induction may cease.

All Uniductor units are available in corrosion resistant light alloy as standard, although gunmetal versions are available where salt-water applications are anticipated. A tough, chip-resistant yellow thermoplastic finish is provided as standard on both versions.

Normally one or two lengths of 45 mm (1 3/4") Duraline fire hose can be used between each portable Uniductor and Hi-Combat branchpipe but it is recommended that a hose with 64mm (2 1/2") diameter is chosen for the UNI-450(3x6) to minimise pressure losses. Longer lengths can be used if care is taken to keep the hose as straight and level as possible between inductor and branchpipe.

It is recommended that Hi-Combat branchpipes and nozzles are operated no more than 6 metres vertically above the UNI-225(3x6) /UNI-450(3x6) Portable Uniductors to avoid back pressure problems occurring, and achieve maximum performance at the nozzle.

Each portable Uniductor is fitted with a non-return valve and 1metre long pick-up tube, to allow use with 25 litre foam drums or temporary reservoirs. This also avoids the potential risk of water diluting the foam supply, which can be caused by high back pressures occurring due to poor hose configurations, operating up steep slopes, or mismatching of equipment.

